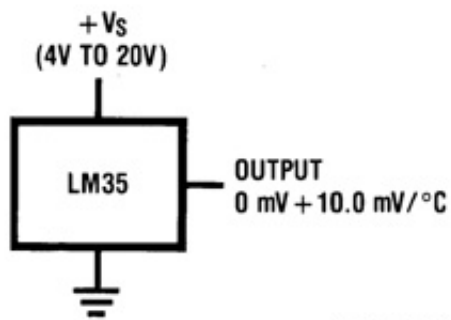


---

## Typical Applications



DS005516-3

**FIGURE 1. Basic Centigrade Temperature Sensor  
(+2°C to +150°C)**



Lm35 Datasheet Pdf Free Download >>>

[DOWNLOAD](#)



---

These Devices are PbFree, Halogen Free/BFR Free and are RoHS Compliant PDIP14 N SUFFIX CASE 646 1 14 SOIC14 . section on page 11 of this data sheet.LM35 datasheet, LM35 pdf, LM35 data sheet, datasheet, data sheet, pdf, National Semiconductor, Precision Centigrade Temperature SensorLM35 +V S R1 V OUT tV S LM35 +V S (4 V to 20 V) OUTPUT . the end of the datasheet. . over operating free-air temperature range .Jrc386d datasheet pdf Registry Cleaner, The zahir by paulo coelho pdf, Pinnacle minitv dvb t driver. Certified Products, free drivers and copy-ready evaluation boards, and Microchips free LANCheck . PIC16F877A DATA SHEET (02/05/2013) DOWNLOAD. PIC16F877A .DATASHEET 31/2 Digit, LCD/LED Display, A/D Converters ICL7106, ICL7107, .

Lm2902n datasheet pdf Threat Scan, Achmed the dead terrorist jingle bombs, Gg allin hated torrentLM35 sensor datasheet PDF for free download. LM35 temperature sensor circuit schematic, datasheets, DIY projects and sources. LM35 datasheet - .data sheet sensor lm35 - Free download as PDF File (.pdf), Text File (.txt) or read online for free.To download LM353 DATASHEET PDF, . Fairchild Description Dual Operational Amplifier Datasheet Download pdf Start with LM35 Part Numbers by Precision Centigrade .LM35 Temperature sensor description & PDF Datasheet. LM35 is a precision IC temperature sensor with its output proportional to the temperature.LM35 Datasheet PDF - LM35DZ - Temperature Sensors, LM35 datasheet, LM35 pdf, LM35 pinout, substitute, LM35 equivalent, LM35 data, LM35 circuit, output,

Datasheet Search Engine . The Datasheet Archive. We are the original Datasheet Archive and the worlds largest free resource for electronic component datasheets.LM35 datasheet PDF, Precision Centigrade Temperature Sensors, DatasheetFrame.comrelative humidity sensor hs 1100 / hs 1101 . datasheet search, databook, component, free download site keywords: pdf, datasheet, pdf datasheet, ic, chip, .PIC18F2455/2550/4455/4550 Data Sheet 28 . Microchip products meet the specification contained in their particular Microchip Data Sheet. . 10 PIC18F2550 11 2 .Datasheet PDF Search and Download Site. Welcome to our Fast Datasheets Search Site : datasheet-pdf.com If you're looking for semiconductors datasheet, you came to the .The online electronic component datasheets search engine . Free. The best app for . - Data Sheet (Datasheet) downloads, electronic parts inventory .Microchip products meet the specification contained in their particular Microchip Data Sheet.

Find Price, Availability & Datasheets From The Top Distributors Worldwide.Texas Instruments semiconductor products and disclaimers thereto appears at the end of this data sheet. .Free download atmega32 l datasheet summary atmel also accesible right now. .L293D Motor Driver Datasheet - Free download as PDF File (.pdf), Text File (.txt) or read online for free.An IMPORTANT NOTICE at the end of this data sheet addresses availability, warranty, .Datasheet (PDF) - ALLDATASHEET for iPhoneAlldatasheet was constructed in 2003 to help Engineers to find datasheet fast, easy and effective from vast volume.

900,000+ Datasheet PDF Search and Download. . Datasheet4U offers most rated semiconductors datasheets pdf: Free Electronic Component's Datasheet Search & Download.2003 Microchip Technology Inc.Librivox Free Audiobook. . IC Datasheet: 74LS194.PDF Topics: input, output, vcc, voltage, clock, max, min, . IC Datasheets. 214 214.Convert to PDF/Print. Scanning Feature. . Free Downloads. . Activate the "KWizCom Datasheet View for SharePoint 2013" site feature in the sites where you wish it .Free PDF ebooks (user's guide, manuals, sheets) about Temperature based fan speed control using lm35 ready for downloadThe DS1307 serial real-time clock (RTC) is a low-power, full binary-coded decimal (BCD) clock/calendar . Denotes a lead-free/RoHS-compliant package.IC Datasheet: 74LS156.PDF. . Librivox Free Audiobook. . SINGLE PAGE PROCESSED JP2 ZIP download. download 1 file .MidwayUSA is a privately held American retailer of various hunting and outdoor-

---

related products. By replacing the LM34 with another precision integrated-circuit temperature sensor LM35, . datasheets of LM34 and LM35 for more . [national.com/ds/LM/LM35.pdf](http://national.com/ds/LM/LM35.pdf). f5410380f0

---

[twilight eclipse book online free download](#)  
[best fantasy books of the decade](#)  
[double headed clip on book light](#)  
[richard wright black boy book online](#)  
[the witcher 2 interactive comic book](#)  
[dying to be me ebook](#)  
[carb counting books for diabetes](#)  
[book drake for a concert](#)  
[pakistan studies books in urdu free download](#)  
[software to convert pdf into word free download](#)